

SKAR-Sewage Combination Air Release Valve

Features:

- . Advanced design with simple mechanism, strong float to prevent cracking during sudden water hammer & quick closure.
- . Aerokinetic mechanism to resist blow shut under higher air velocity even up to sonic velocity of air.
- . With special fat body design to lower the sewage water flow speed, and let the air out but keep sewage water underneath.
- . Keep dirty or corrosive liquid inside the body for safety during operation and no harm to human & surrounding environment
- . Internal body guide and upper round wall keep float moving on its rail and keep liquid turbulence flow within this area.
- . Much bigger air flow through the nozzle even for higher viscosity liquid.
- . Outside screen will be an option for safety and prevent insects or birds in.
- . Fully fusion epoxy coated inside and outside of valve body for long term services.
- . Manufacturing standard meets BS EN 1074-4, AWWA C512. Flange drilling and dimension meets BS EN 1092 and ANSI flange.

SKAR- Sewage combination air release valve Provides 3 functions:

- 1.Large air release during filling of the pipeline.
- 2.Small air venting under pressurized pipeline.
- 3.Large air intake during draining of the pipeline.



Service Fields:

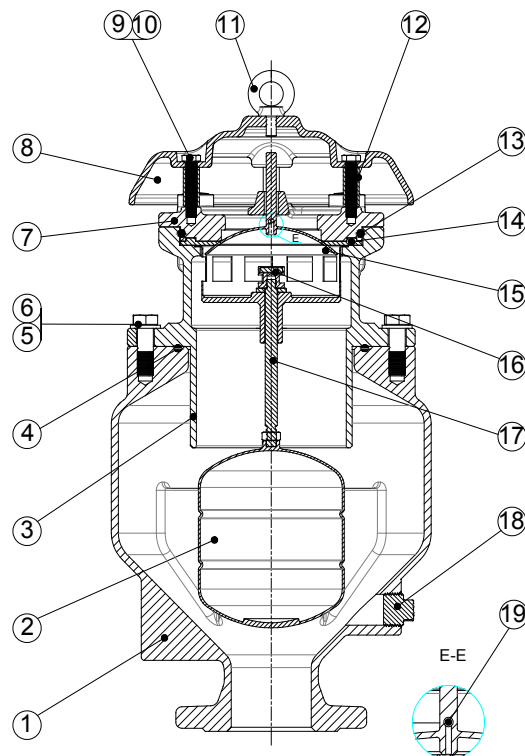
For sewage water system.

Technical Data:

Size range: DN 50-300MM
Pressure ratings: 1.0Mpa, 1.6Mp (Flange)
Working temperature: -10°-80°C.
Flow media: sewage water.

Please consult factory for PN25 and anti shock device whenever there is water hammer issue.

Main Valve-DN50-300

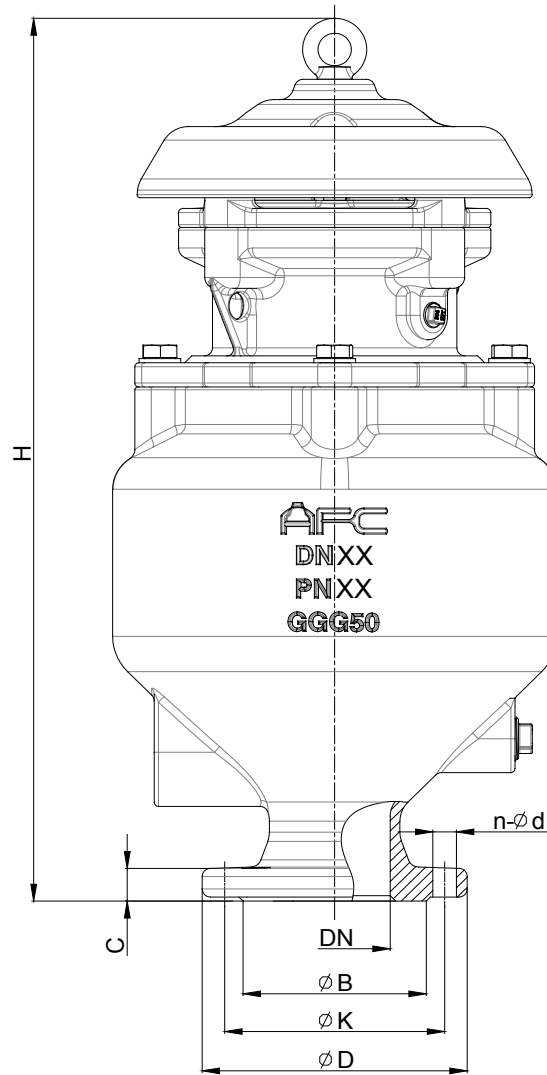


Parts List

No.	Part Name	Material	Standard
1	Body	Ductile Iron	EN GJS 500-7
2	Float	Stainless Steel	AISI 316L
3	Middle Part	Ductile Iron	EN GJS 500-7
4	O-Ring	Rubber	NBR
5	Hex Bolt	Stainless Steel	AISI 316
6	Washer	Stainless Steel	AISI 316
7	Bonnet	Ductile Iron	EN GJS 500-7
8	Cover	Ductile Iron	EN GJS 500-7
9	Washer	Stainless Steel	AISI 316
10	Hex Bolt	Stainless Steel	AISI 316
11	Eyebolt	Carbon Steel	AISI 316
*12	Pillar	Aluminium	Commercial
13	O-Ring	Rubber	NBR
14	Seat	Rubber	NBR
15	Sealing Arc	Stainless Steel	AISI 316
16	Orifice Seat	Rubber	NBR
17	Stem	Stainless Steel	AISI 316
18	Plug-Option	Stainless Steel	AISI 316
19	Small Orifice	Stainless Steel	AISI 316

* Size \geq DN150 have no pillar.

Dimension

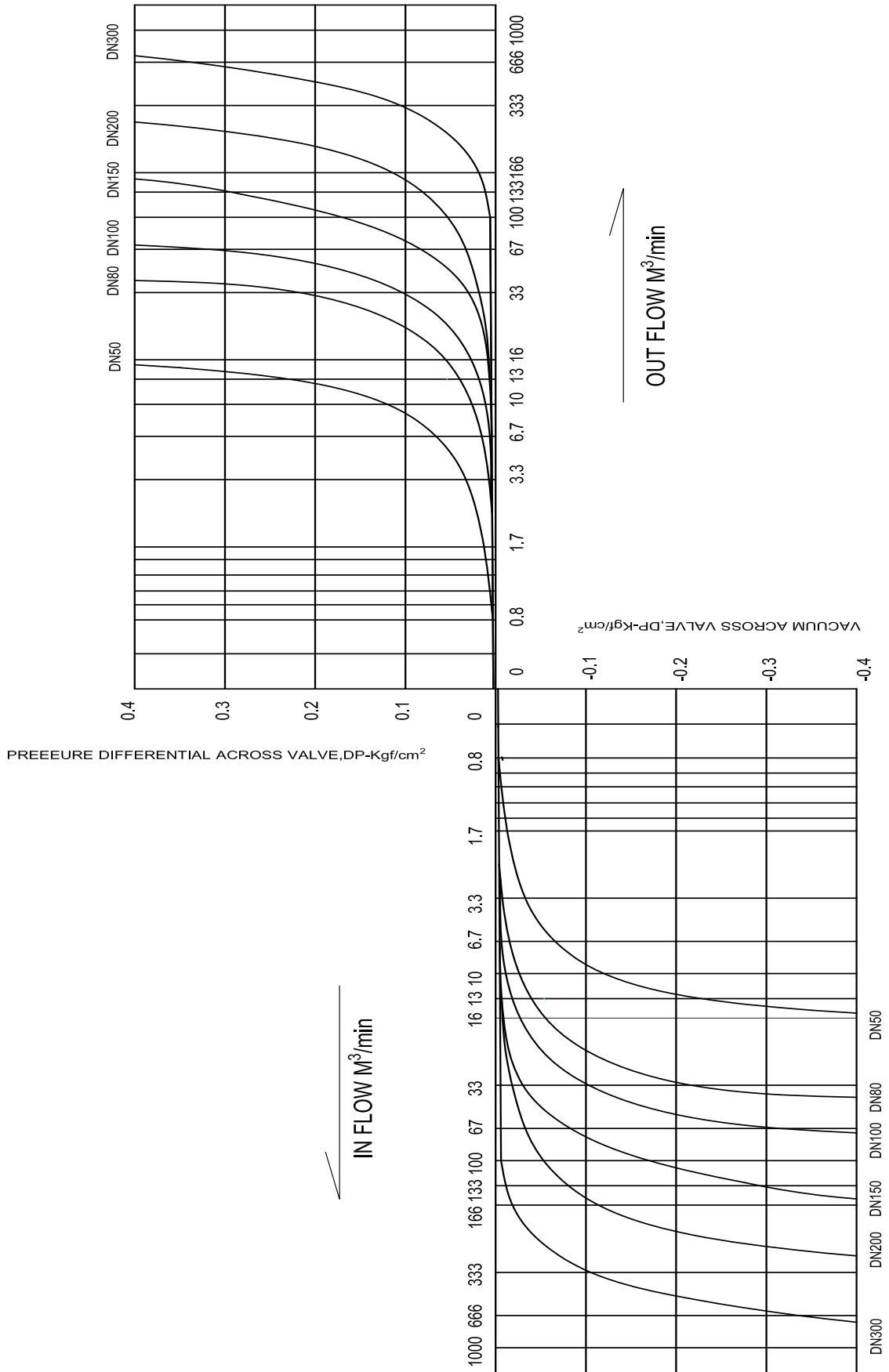


Unit: MM

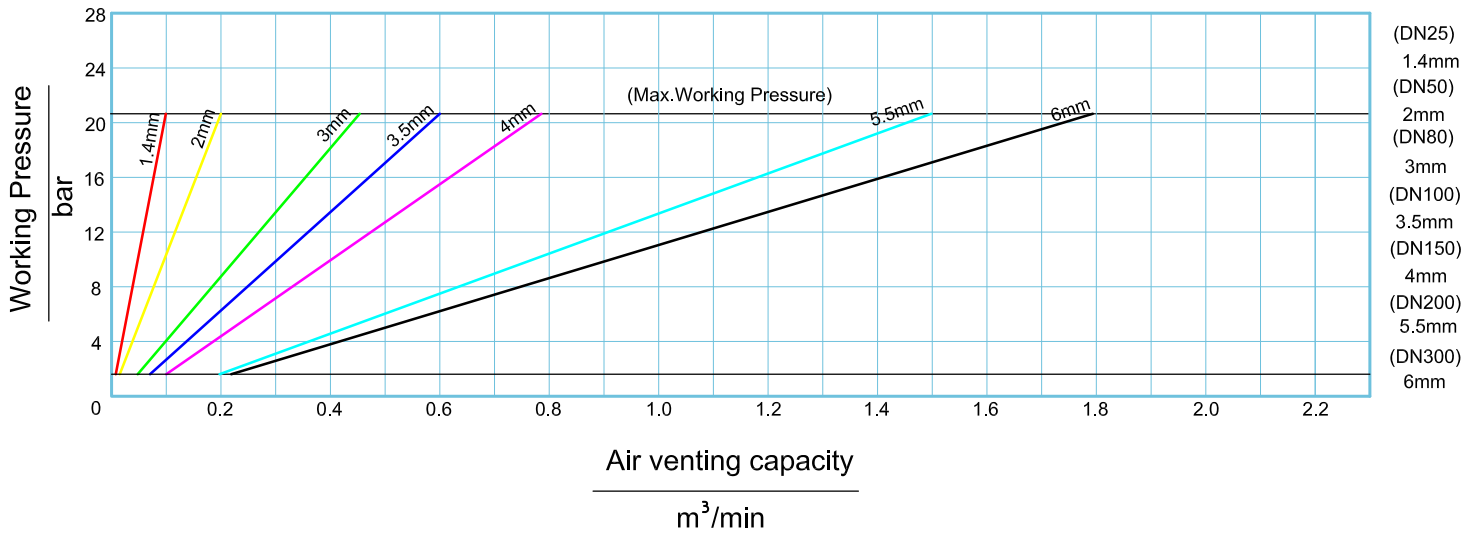
DN	Model No.	H	ØD		ØK		ØB		n-Ød		C
			PN10	PN16	PN10	PN16	PN10	PN16	PN10	PN16	
50	SKAR-0050	558	165		125		99		4-Ø19		19
80	SKAR-0080	653	200		160		132		8-Ø19		19
100	SKAR-0100	676	220		180		156		8-Ø19		19
150	SKAR-0150	810	285		240		211		8-Ø23		19
200	SKAR-0200	950	340		295		266		8-Ø23	12-Ø23	20
300	SKAR-0300	1173	460		410		370		12-Ø23	12-Ø28	24.5

* AFC keeps the right to change dimension without further notice.

BIG NOZZLE EXHAUSTING / INTAKE



SMALL ORIFICE VENTING



Ordering Code

Model:
SKAR- Sewage combination air valve

