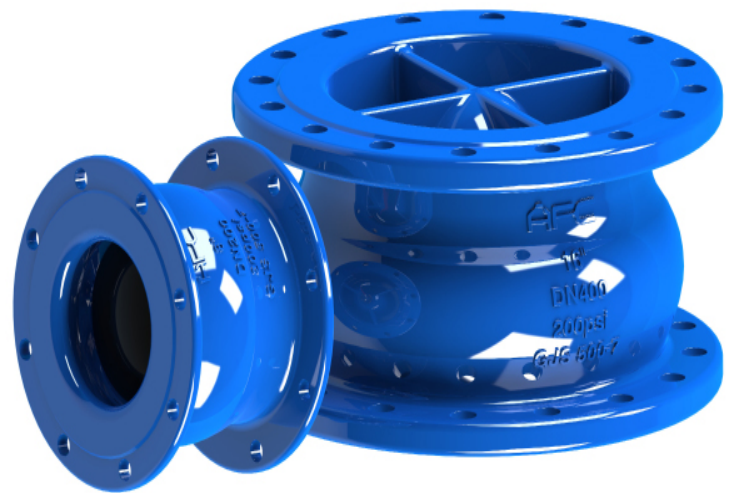


NSCV - Non Slam Check Valve

N^{SCV}- Non Slam Check Valve is used as protection against reverse flow when power failure in areas where noise pollution or water hammering is a critical issue. It can provide not only quiet performance but also low head loss.

Features:

- High strength ductile iron body used for durability and less weight.
- Advanced dynamic design of single body with diffuser provides streamline flow and assures lower head loss.
- One of the lowest head loss check valve, big save in pumping power cost, valve disc with shorter stroker and spring reverse faster than most of check valve.
- Coated with powder epoxy both inside & outside for corrosion resistance.
- Bronze bushing reduce wearing problem during operation.
- Hydrodynamic design with spring ensures non slamming and water hammerless.
- Stainless steel spring hidden in the diffuser under protection while valve in operation.
- Disc will positively close before reverse flow, and maximize the closing speed up to 0.2 Sec.
- Installation can be vertical/horizontal/ inclined. For size DN800 and up preferred vertical installation.
- Comply with EN 558-1, ISO 5752 and EN 1092-2, ISO 7005-2 flange dimension.



Service Fields:

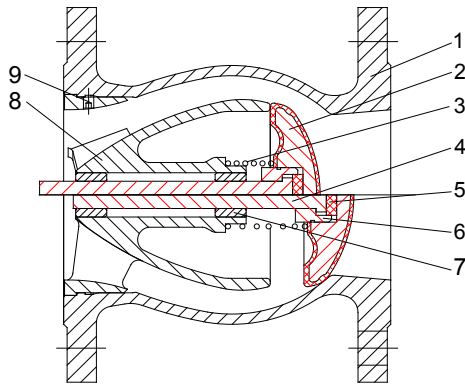
Mainly used for clean water, precleaned sewage water, Fire-fighting, Irrigation, Cooling and HVAC System.

Technical Data:

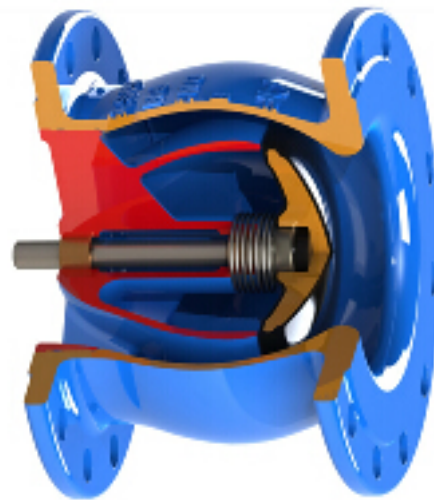
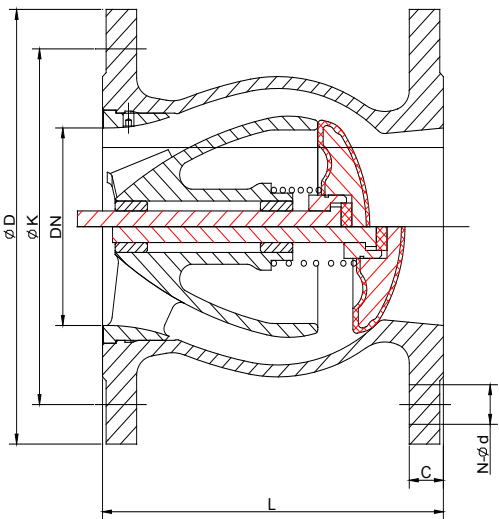
Size Range: DN50-1200mm
Pressure Ratings: 1.0Mpa; 1.6Mpa; 2.5Mpa.
Working Temperature: -10°C-80°C
Flow Media: Clean Water
End Connections: PN10, PN16, PN25.

Main Valve-DN50-DN350

Parts List



No.	Part Name	Material	Standard
1	Body	Ductile Iron	GJS 500-7
2	Disc	Ductile iron+rubber	GJS 500-7+EPDM
3	Spring	Stainless Steel	AISI 304/ 316
4	Stem	Stainless Steel	AISI 420/ 304/ 316
5	Washer	Rubber	EPDM
6	Nut	Stainless Steel	AISI 420/ 304
7	Bushing	Bronze	C61900
8	Diffuser	Ductile Iron	GJS 500-7
9	Set Screw	Stainless Steel	AISI 304



Dimension:

Unit: mm

DN	Model No	L (F/F)	ØD			ØK			n-Ød			C	
			PN10	PN16	PN25	PN10	PN16	PN25	PN10	PN16	PN25	PN10/16	PN25
50	NSCV-0050	150		165			125			4-Ø19			19
65	NSCV-0065	170		185			145			4-Ø19	8-Ø19		19
80	NSCV-0080	180		200			160			8-Ø19	8-Ø19		19
100	NSCV-0100	190		220	235		180	190		8-Ø19	8-Ø23		19
125	NSCV-0125	200		250	270		210	220		8-Ø23	8-Ø28	19	23.5
150	NSCV-0150	210		285	300		240	250		8-Ø23	8-Ø28	19	26
200	NSCV-0200	230		340	360		295	310	8-Ø23	12-Ø23	12-Ø31	20	30
250	NSCV-0250	250	395	405	425	350	355	370	12-Ø23	12-Ø28	12-Ø34	22	34.5
300	NSCV-0300	270	445	460	485	400	410	430	12-Ø23	12-Ø28	16-Ø34	24.5	39.5
350	NSCV-0350	290	505	520	555	460	470	490	16-Ø23	16-Ø28	16-Ø37	24.5	44

Distributor:



Tel: 86 512 6673 2918 | Fax: 86 512 6673 2928

E-mail: exsales@alpinefc.com.cn

site: www.alpinefc.com.cn

Alpine Flow Control (Suzhou) Co.,Ltd

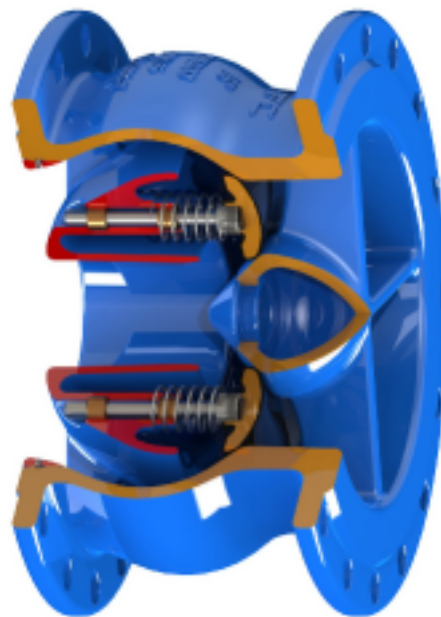
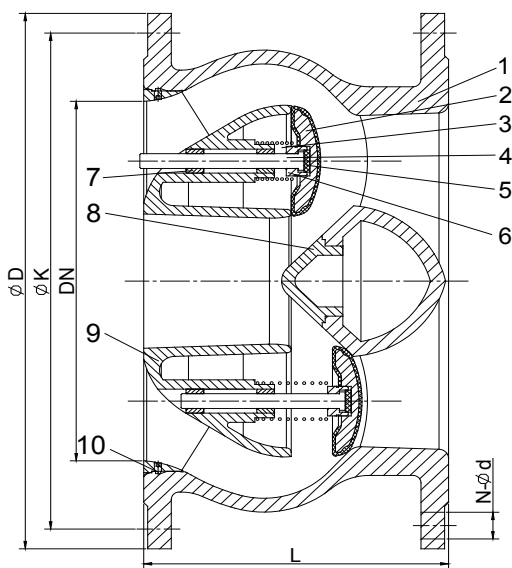
Add: B5 ChaoYang Factory, Caohu Industrial Park,

Xiangcheng Economic Development Zone,

Suzhou, Jiangsu Province, China, ZIP: 215131



Main Valve-DN400-1200



Parts List

No.	Part Name	Material	Standard
1	Body	Ductile Iron	GJS 500-7
2	Disc	Ductile iron+rubber	GJS 500-7+EPDM
3	Spring	Stainless Steel	AISI 304/ 316
4	Stem	Stainless Steel	AISI 420/304
5	Washer	Plastic	Nylon
6	Nut	Stainless Steel	AISI 304
7	Bushing	Bronze	C61900
8	Plug	Ductile Iron	GJS 500-7
9	Diffuser	Ductile Iron	GJS 500-7
10	Set Screw	Stainless Steel	AISI 304

Dimension:

Unit: mm

尺寸	型号	L (F/F)	ØD			ØK			n-Ød			C		
			PN10	PN16	PN25	PN10	PN16	PN25	PN10	PN16	PN25	PN10	PN16	PN25
400	NSCV-0400	310	565	580	620	515	525	550	16-Ø28	16-Ø31	16-Ø41	24.5	24.5	48
450	NSCV-0450	330	615	640	670	565	585	600	20-Ø28	20-Ø31	20-Ø41	25.5	25.5	49
500	NSCV-0500	350	670	715	730	620	650	660	20-Ø28	20-Ø34	20-Ø44	26.5	26.5	52
600	NSCV-0600	390	780	840	845	725	770	770	20-Ø31	20-Ø37	20-Ø50	30	30	58
700	NSCV-0700	430	910	910	960	840	840	875	24-Ø31	24-Ø37	24-Ø43	39.5	39.5	46.5
800	NSCV-0800	470	1025	1025	1085	950	950	990	24-Ø34	24-Ø40	24-Ø49	43	43	51
900	NSCV-0900	510	1125	1125	1185	1050	1050	1090	28-Ø34	28-Ø40	28-Ø49	46.5	46.5	55.5
1000	NSCV-1000	550	1230	1255	1320	1160	1170	1210	28-Ø37	28-Ø43	28-Ø56	40	50	60
1200	NSCV-1200	630	1455	1485	1530	1380	1390	1420	32-Ø40	32-Ø49	32-Ø56	45	57	69

Distributor:



Tel: 86 512 6673 2918 | Fax: 86 512 6673 2928

E-mail: exsales@alpinefc.com.cn

site: www.alpinefc.com.cn

Alpine Flow Control (Suzhou) Co.,Ltd

Add: B5 ChaoYang Factory, Caohu Industrial Park,

Xiangcheng Economic Development Zone,

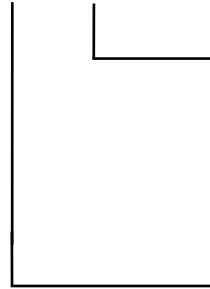
Suzhou, Jiangsu Province, China, ZIP: 215131



Ordering Code:

NSCV - 0150 - 16

Model:
NSCV: Non Slam Check Valve



End Connection / ratings:

10: PN10

16: PN16

25: PN25

A1:ANSI 125

A5:ANSI 150

Valve Size:

0080: 80 mm

0150: 150 mm

Distributor:

AFC®

Tel: 86 512 6673 2918 | Fax: 86 512 6673 2928

E-mail: exsales@alpinefc.com.cn

site: www.alpinefc.com.cn

Alpine Flow Control (Suzhou) Co.,Ltd

Add:B5ChaoYangFactory,CaohuIndustrialPark,

Xiangcheng Economic Development Zone,

Suzhou, Jiangsu Province, China , ZIP: 215131

