

# Direct Membrane Valve - D900 series

## Features:

- All iron components are fusion epoxy bonded for corrosion resistance.
- Easy maintenance without removal from the main line.
- Nylon reinforced diaphragm for long term service.
- Drip tight shut off.
- Ductile iron bodies for higher strength and durability.
- Various pilots and accessories available for configuration into many different applications.

## General Applications:

For general water supply, fire fighting, and irrigation system.

## Technical Data:

Size Range: DN 50-200mm

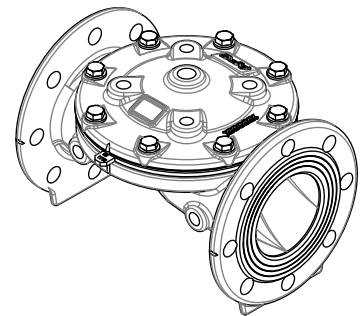
Pressure rating:

PN10 ,PN16.

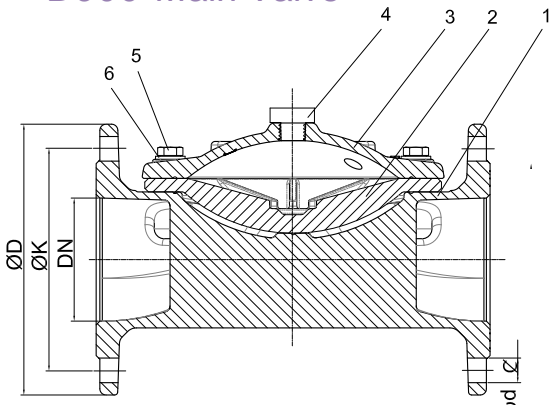
Max. temperature Range:

-10°C to 80°C

**D**900-is a direct membrane operation valve, Ductile Iron GJS500-7 body/ bonnet, EPDM nylon reinforced diaphragm



## D900-Main Valve



### Parts List & Material

No.	Part Name	Material	Standard
1	Body	Ductile Iron	EN GJS500-7
2	Membrane	Nylon Reinforced Rubber	EPDM + Nylon
3	Bonnet	Ductile Iron	EN GJS 500-7
4	Plug	Stainless Steel	AISI 304
5	Bolt	Stainless Steel	AISI 304
6	Washer	Stainless Steel	AISI 304

### Dimension:

Unit: mm

DN	Model No	L	ØD		ØK		N- Ød		H
			PN10	PN16	PN10	PN16	PN10	PN16	
50	D900-0050	205	165		125		4-Ø19		82.5
80	D900-0080	295	200		160		8-Ø19		100
100	D900-0100	320	220		180		8-Ø19		115
150	D900-0150	425	285		240		8-Ø19		170
200	D900-0200	500	340		295		8-Ø23	12-Ø23	223

### Ordering Code:

D900 - 0150 - 16

End Connection / ratings:

10: PN10

16: PN16

Model:

D900: Direct Membrane Valve

Valve Size:

0080: 80 mm

0150: 150 mm